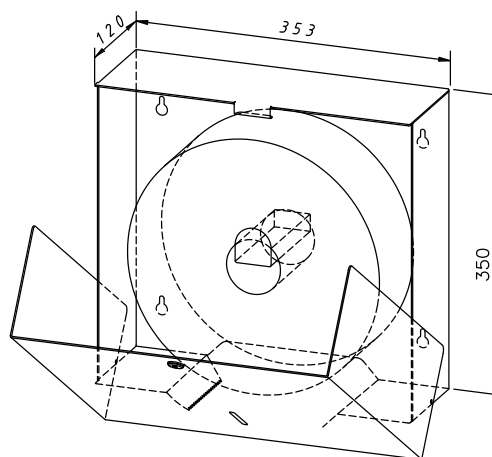


Large roll dispenser in stainless steel



- Full metal housing in robust, easy-to-clean stainless steel AISI 304, satin finish.
- Designed for 1 large roll, \varnothing 28 cm = 420 m, or \varnothing 25 cm = 300 m. Core diameter at least 4 cm, maximum paper depth 100 mm (available from Wagner-EWAR).
- Spring pressure plate to prevent unintended unrolling.
- Inspection slot to indicate refill level.
- Housing swings down for refilling.
- Roll dispenser lockable with cylinder lock.
- Subsequent rebuilding possible to use 4 conventional toilet paper rolls (see WP163-S).
- Easy to clean due to optimum accessibility.
- Simple mounting: line up with tiles and fasten with 4 screws.
- Also available upon request in a polished finish or with other surfaces.
- Conversion to WP163-S possible afterwards. Conversion kit ID 923 290.

Suggested text for specifications:

Large roll dispenser in stainless steel AISI 304, for surface mounting, satin finished, lockable with cylinder lock.

Dimensions 353 x 350 x 120 mm; for 1 large toilet roll; includes mounting components.

Article No. WP 163